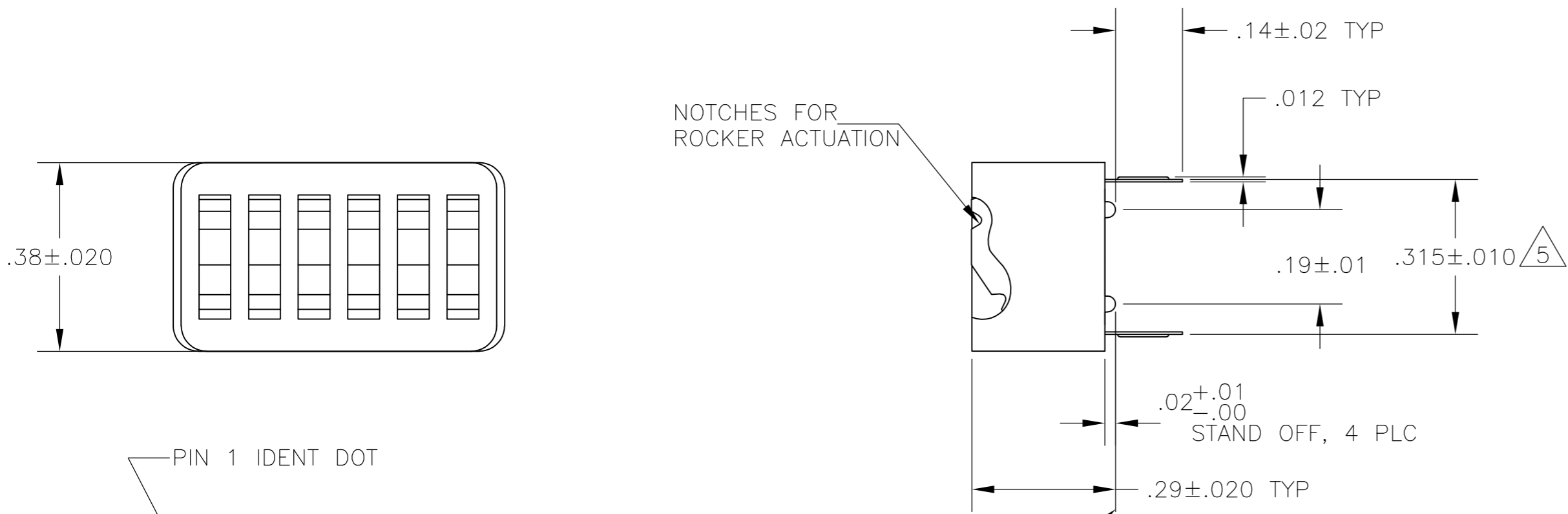
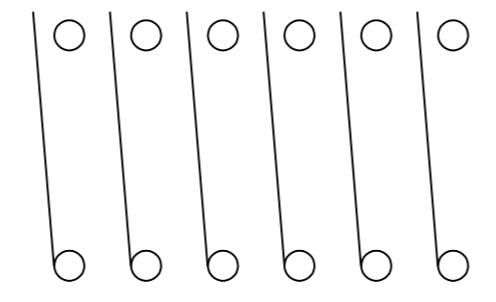
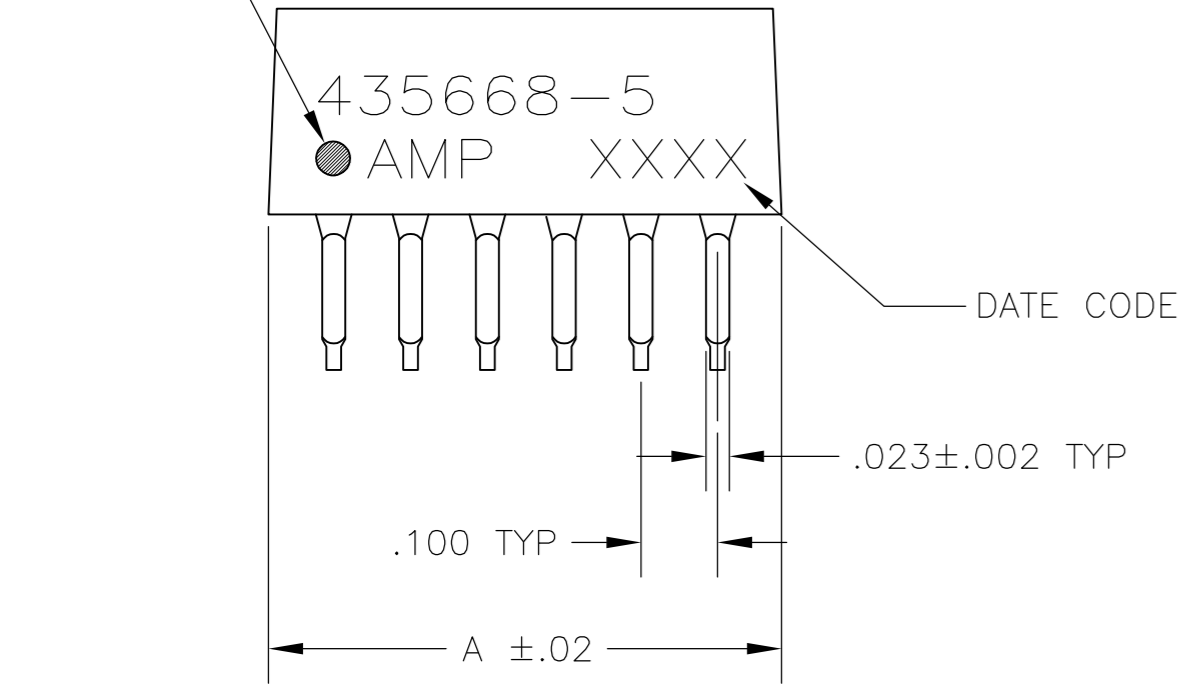


THIS DRAWING IS UNPUBLISHED. RELEASED FOR PUBLICATION
 © COPYRIGHT - By - ALL RIGHTS RESERVED.

LOC		DIST		REVISIONS			
P	LTR	DESCRIPTION	DATE	DWN	APVD		
AD	00	AM2	REVISD PER ECO-11-004587	11MAR11	RK	HMR	



- FOR ADDITIONAL SPECIFICATIONS SEE AMP PRODUCT SPEC 108-7532.
 - SWITCH SHOWN IN OPEN POSITION.
 - ALL CHARACTERS AND ROCKERS ARE WHITE, HOUSING IS BLUE.
 - STAMPING WILL VARY ON 2 AND 3 POSITION SIDES DUE TO SPACE RESTRICTIONS.
- △.315 DIMENSION APPLIES AT TERMINAL TIPS. TERMINALS ARE $.300^{+.010}_{-.000}$ AT MOUNTING SURFACE.
- △ OBSOLETE PARTS: OBSOLETE CIS STREAMLINING PER D.RENAUD/D.SINISI



CONTACT ARRANGEMENT

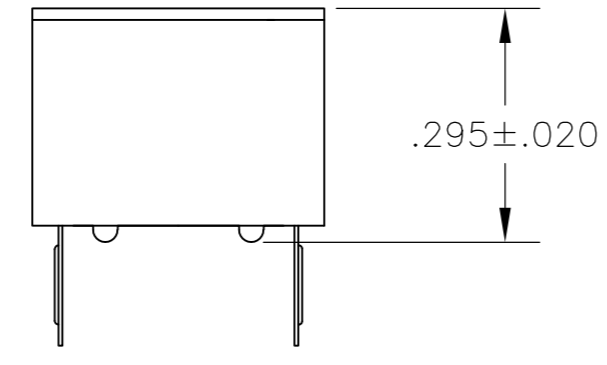
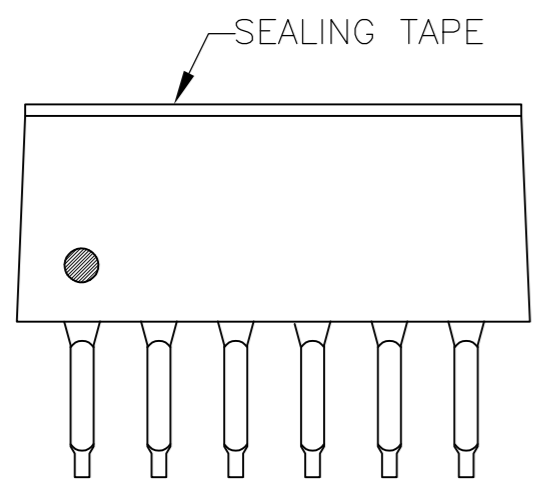


FIG1

435668-5 SHOWN

FIG	DESCRIPTION	NO OF POSN	PART NO
△6	OBSOLETE	5	8-435668-7
	OBSOLETE		8-435668-6
	OBSOLETE	12	8-435668-5
SUPERSEDED BY 2-435668-5 FIG 3 & 4			
	OBSOLETE	6	8-435668-3
		4	8-435668-0
		5	3-435668-5
		4	3-435668-4
		3	3-435668-3
		12	3-435668-2
△6	OBSOLETE	11	3-435668-1
		10	3-435668-0
		9	2-435668-9
		8	2-435668-8
		7	2-435668-7
		2	2-435668-6
		6	2-435668-5
SUPERSEDED BY 3-435668-2			
		12	1-435668-1
		10	435668-9
		9	435668-8
SUPERSEDED BY 2-435668-7			
		8	435668-7
		7	435668-6
		6	435668-5
		5	435668-4
		4	435668-3
		3	435668-2
		2	435668-1
SUPERSEDED BY 3-435668-3			
△6	OBSOLETE		435668-1

THIS DRAWING IS A CONTROLLED DOCUMENT.		DWN R.TALLEY 02JAN90		
DIMENSIONS: INCHES		CHK R.MILLER 03JAN90		
TOLERANCES UNLESS OTHERWISE SPECIFIED:		APVD H.LEITER 03JAN90	NAME	
0 PLC ± - 1 PLC ± - 2 PLC ± - 3 PLC ± .005 4 PLC ± - ANGLES ± -		PRODUCT SPEC	SWITCH ASSY, DIP, TYPE C, 7100 SERIES, SPST, LOW PROFILE	
MATERIAL HOUSING & ROCKERS: POLYESTER CONTACTS: COPPER ALLOY		FINISH CONTACTS: PLATED .000030 MIN GOLD IN CONTACT AREA OVER .000050 MIN NICKEL	APPLICATION SPEC	RESTRICTED TO
		WEIGHT -	SIZE A2	CAGE CODE 00779
		CUSTOMER DRAWING	DRAWING NO C=435668	SCALE 4:1
			SHEET 1 OF 2	REV AM2

THIS DRAWING IS UNPUBLISHED. RELEASED FOR PUBLICATION
 © COPYRIGHT - By - ALL RIGHTS RESERVED.

LOC	DIST	REVISIONS					
AD	00	P	LTR	DESCRIPTION	DATE	DWN	APVD
		-	-	SEE SHEET 1	-	-	-

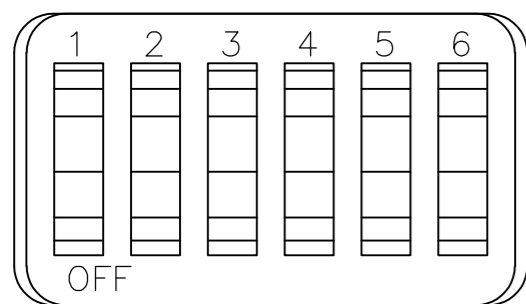


FIG 2

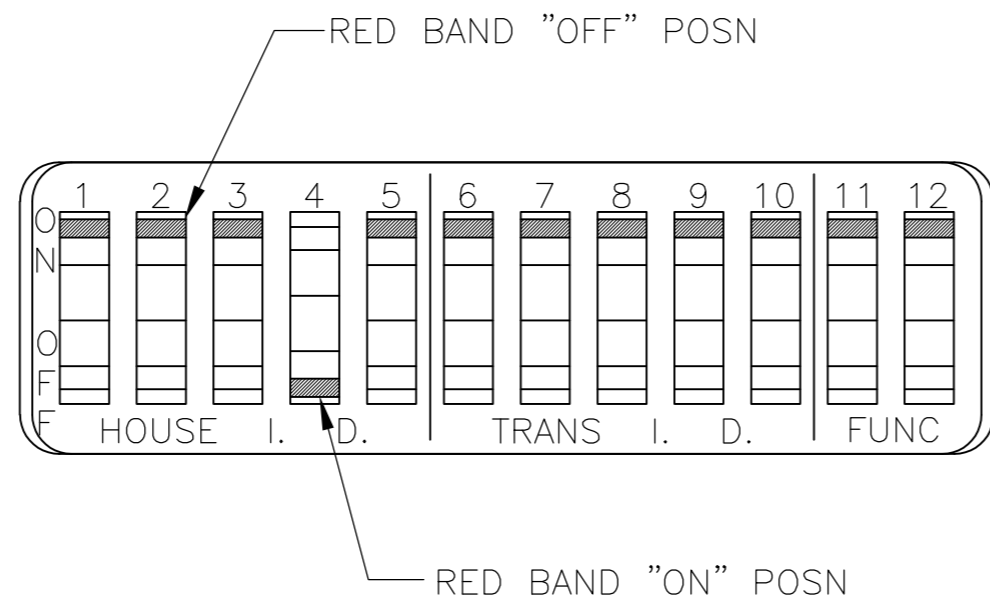


FIG 5

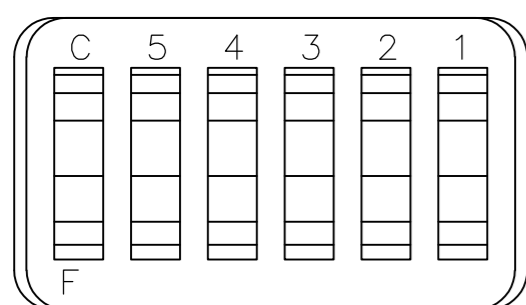


FIG 3

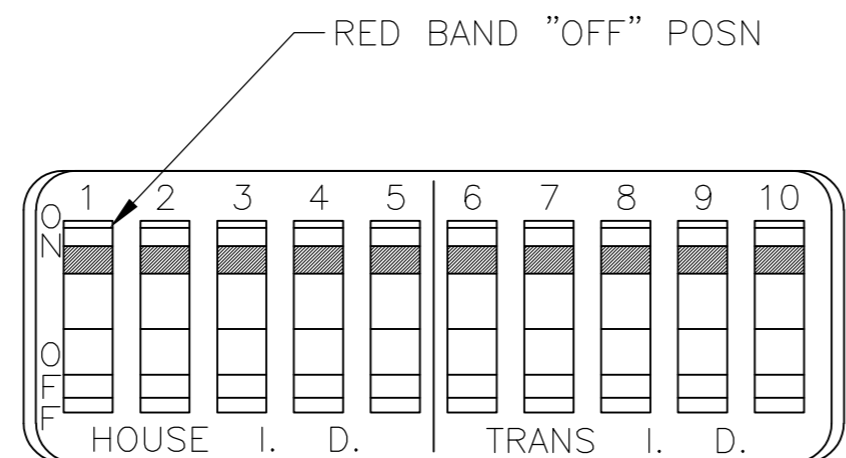


FIG 6

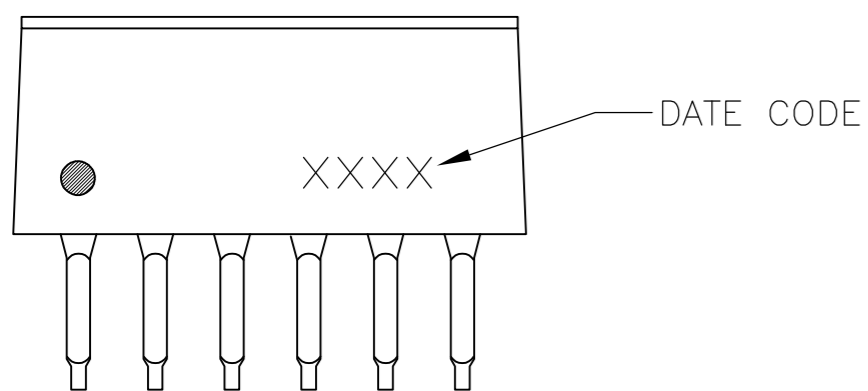


FIG 4

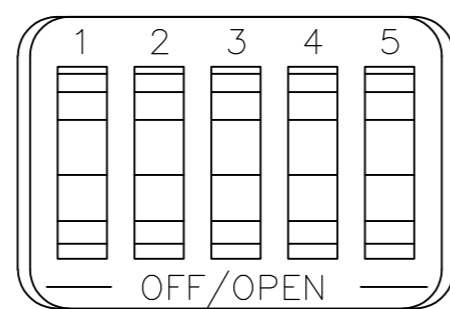


FIG 7

THIS DRAWING IS A CONTROLLED DOCUMENT.		DWN R.TALLEY 02JAN90		
DIMENSIONS: INCHES		CHK R.MILLER 03JAN90		
TOLERANCES UNLESS OTHERWISE SPECIFIED:		APVD H.LEITER 03JAN90	NAME SWITCH ASSY, DIP, TYPE C, 7100 SERIES, SPST, LOW PROFILE	
		PRODUCT SPEC -	SIZE A2	
MATERIAL		APPLICATION SPEC -	CAGE CODE 00779	DRAWING NO C=435668
FINISH		WEIGHT -	RESTRICTED TO -	SCALE 4:1
CUSTOMER DRAWING			SHEET 2 of 2	REV AM2